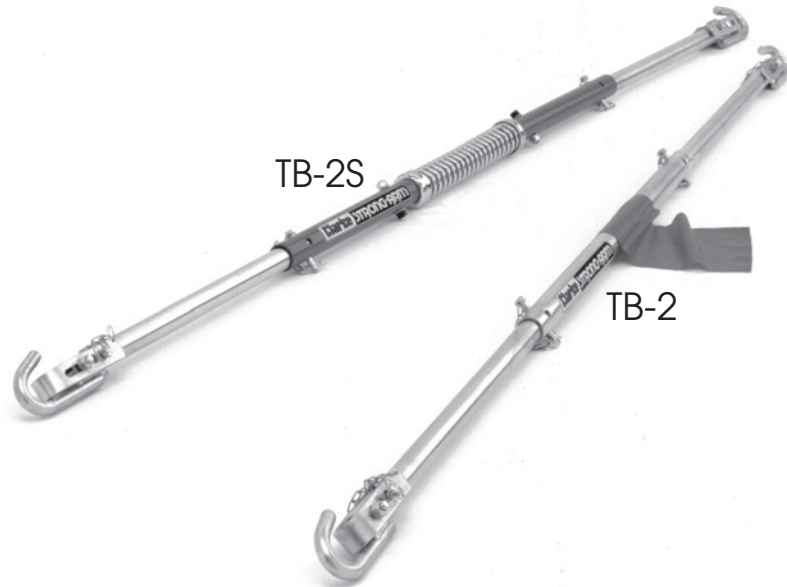


CLARKETM STRONG-ARM

2-TONNE TOW BAR



0504

GUARANTEE

This CLARKE product is guaranteed against faulty manufacture for a period of 12 months from the date of purchase. Please keep your receipt as proof of purchase. This guarantee is invalid if the product is found to have been abused or tampered with in any way, or not used for the purpose for which it was intended.

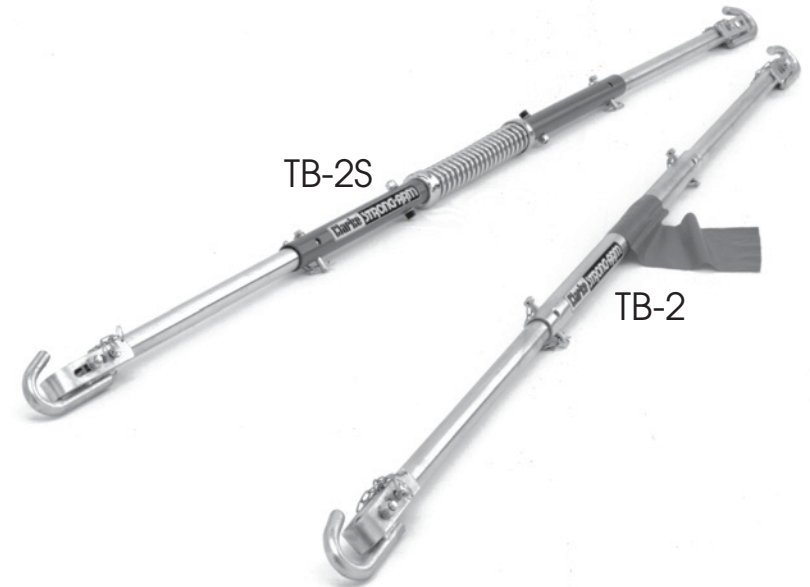
Faulty goods should be returned to their place of purchase, no product can be returned to us without prior permission.

This guarantee does not effect your statutory rights.

PARTS & SERVICE TEL: 020 8988 7400

CLARKETM STRONG-ARM

2-TONNE TOW BAR



0504

GUARANTEE

This CLARKE product is guaranteed against faulty manufacture for a period of 12 months from the date of purchase. Please keep your receipt as proof of purchase. This guarantee is invalid if the product is found to have been abused or tampered with in any way, or not used for the purpose for which it was intended.

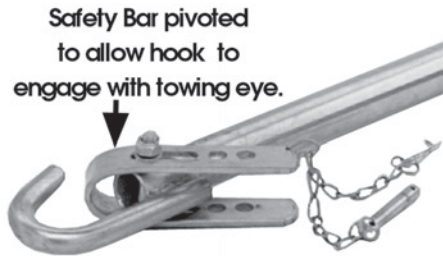
Faulty goods should be returned to their place of purchase, no product can be returned to us without prior permission.

This guarantee does not effect your statutory rights.

PARTS & SERVICE TEL: 020 8988 7400

Thank you for purchasing this CLARKE Tow Bar, which is available with or without a Spring Damper and is designed for use with vehicles equipped with towing eyes only.. Assembly is the same for both versions, and is carried out as follows:

1. Remove the clevis pins from either end of the main centre tube, and insert a connecting tube into each end, securing each with a clevis pin ensuring the retaining clips are correctly in place.
2. Remove the clevis pin from the safety bar at one end of the tow bar. This allows the safety bar to pivot sufficiently for the hook to engage with a towing eye of the towing vehicle.
3. With the hook engaged, replace the clevis pin in one of the two holes provided, ensuring the bar is up against the towing eye as tightly as possible. i.e. There is as little room for movement as possible between towing eye and hook.
4. Repeat the process at the other end of the tow bar, connecting the hook to the towing eye on the SAME SIDE of the towed vehicle.
It will be necessary to push the vehicle to be towed in order the hook engage with the towing eye. If this is not possible, attach the tow bar to the vehicle to be towed first, and VERY CAREFULLY manoeuvre the towing vehicle, with the tow bar being held up, until the hook can engage with the towing eye of the towing vehicle.



GENERAL SAFETY PRECAUTIONS

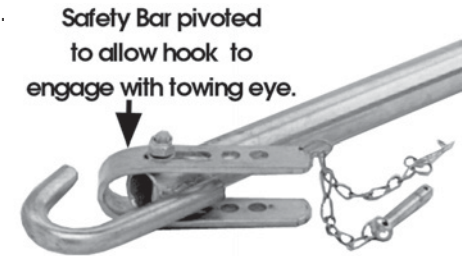
- **NEVER** attempt to tow a vehicle of an overall weight greater than 2,000kg (1.9tons). Be aware that on initial startup, the load will greatly exceed the weight of the vehicle momentarily. If acceleration is too fast, and the load is heavy, there could be a risk of failure of the tow bar.
- **NEVER** tow a vehicle at high speeds. Exercise great care and common sense, bearing in mind that the vehicle being towed must also negotiate bends in the road and steering assistance may not be available if the engine is not running.
- **ALWAYS** brake and accelerate gently and with great care.
- **ALWAYS** read and abide by Highway Code rules and recommendations for towing vehicles.
- **ALWAYS** have the red flag in place on the Standard tow bar (Model TB-2).
- The vehicle being towed must **ALWAYS** use its own brakes to slow down and stop.
- **NEVER** replace damaged or lost components with any part other than that supplied by CLARKE International. (Contact your Clarke dealer)

DISCLAIMER

These precautions are meant as a guide only. The towing of vehicles is the sole responsibility of those concerned. CLARKE International accepts no responsibility for any damage or injury which may be incurred as a result of the use of this tow bar.

Thank you for purchasing this CLARKE Tow Bar, which is available with or without a Spring Damper and is designed for use with vehicles equipped with towing eyes only.. Assembly is the same for both versions, and is carried out as follows:

1. Remove the clevis pins from either end of the main centre tube, and insert a connecting tube into each end, securing each with a clevis pin ensuring the retaining clips are correctly in place.
2. Remove the clevis pin from the safety bar at one end of the tow bar. This allows the safety bar to pivot sufficiently for the hook to engage with a towing eye of the towing vehicle.
3. With the hook engaged, replace the clevis pin in one of the two holes provided, ensuring the bar is up against the towing eye as tightly as possible. i.e. There is as little room for movement as possible between towing eye and hook.
4. Repeat the process at the other end of the tow bar, connecting the hook to the towing eye on the SAME SIDE of the towed vehicle.
It will be necessary to push the vehicle to be towed in order the hook engage with the towing eye. If this is not possible, attach the tow bar to the vehicle to be towed first, and VERY CAREFULLY manoeuvre the towing vehicle, with the tow bar being held up, until the hook can engage with the towing eye of the towing vehicle.



GENERAL SAFETY PRECAUTIONS

- **NEVER** attempt to tow a vehicle of an overall weight greater than 2,000kg (1.9tons). Be aware that on initial startup, the load will greatly exceed the weight of the vehicle momentarily. If acceleration is too fast, and the load is heavy, there could be a risk of failure of the tow bar.
- **NEVER** tow a vehicle at high speeds. Exercise great care and common sense, bearing in mind that the vehicle being towed must also negotiate bends in the road and steering assistance may not be available if the engine is not running.
- **ALWAYS** brake and accelerate gently and with great care.
- **ALWAYS** read and abide by Highway Code rules and recommendations for towing vehicles.
- **ALWAYS** have the red flag in place on the Standard tow bar (Model TB-2).
- The vehicle being towed must **ALWAYS** use its own brakes to slow down and stop.
- **NEVER** replace damaged or lost components with any part other than that supplied by CLARKE International. (Contact your Clarke dealer)

DISCLAIMER

These precautions are meant as a guide only. The towing of vehicles is the sole responsibility of those concerned. CLARKE International accepts no responsibility for any damage or injury which may be incurred as a result of the use of this tow bar.